



Transformers



since 1892



Type

MT (followed by the type, the power and the construction) = *3-phase transformer*

Norm

The oil transformers comply with the following standards :

CEI EN 60076-1 (IEC 60076-1), IEC 50464-1 (Klassifizierung CEI : CEI 14-34) CEI 14-13, HD 428.1 S1

The cast resin transformers comply with the following standards :

CEI EN 60076-1, CEI EN 60076-11, HD 538.1 S1

General feature

Primary voltage : up to 22,8 kV $\pm 2 * 2,5\%$

Secondary voltage : 400 V + neutral

Vector group :: D Y N 11 – 5 – 7 – 1

Frequency : 50 Hz

OIL TRANSFORMERS

Standard losses

Type	Power	Impedance voltage	No-load current	No-load losses	Losses (75°C)	Oil weight	Total weight
MTO...	kVA	$V_{c/c}$ (%)	I_0 (%)	P_0 (W)	$P_{c/c}$ (W)	kg	kg
50S	50	4	0,5	200	1400	70	350
100S	100	4	0,5	320	2400	100	500
160S	160	4	0,5	450	3500	140	650
200S	200	4	0,5	450	4400	145	700
250S	250	4	0,5	650	4700	200	900
315S	315	4	0,5	700	5650	230	1000
400S	400	4	0,5	800	7200	250	1150
500S	500	4	0,6	950	8000	310	1450
630S	630	4	0,6	1150	10800	410	1850
630S	630	6	0,8	1150	10800	420	1800
800S	800	6	0,8	1300	12800	460	2000
1000S	1000	6	0,8	1500	14500	550	2400
1250S	1250	6	0,8	1900	17200	620	2750
1600S	1600	6	0,8	2200	19500	730	3200
2000S	2000	6	0,8	2500	28500	880	3900
2500S	2500	6	0,8	3150	30000	1000	4600

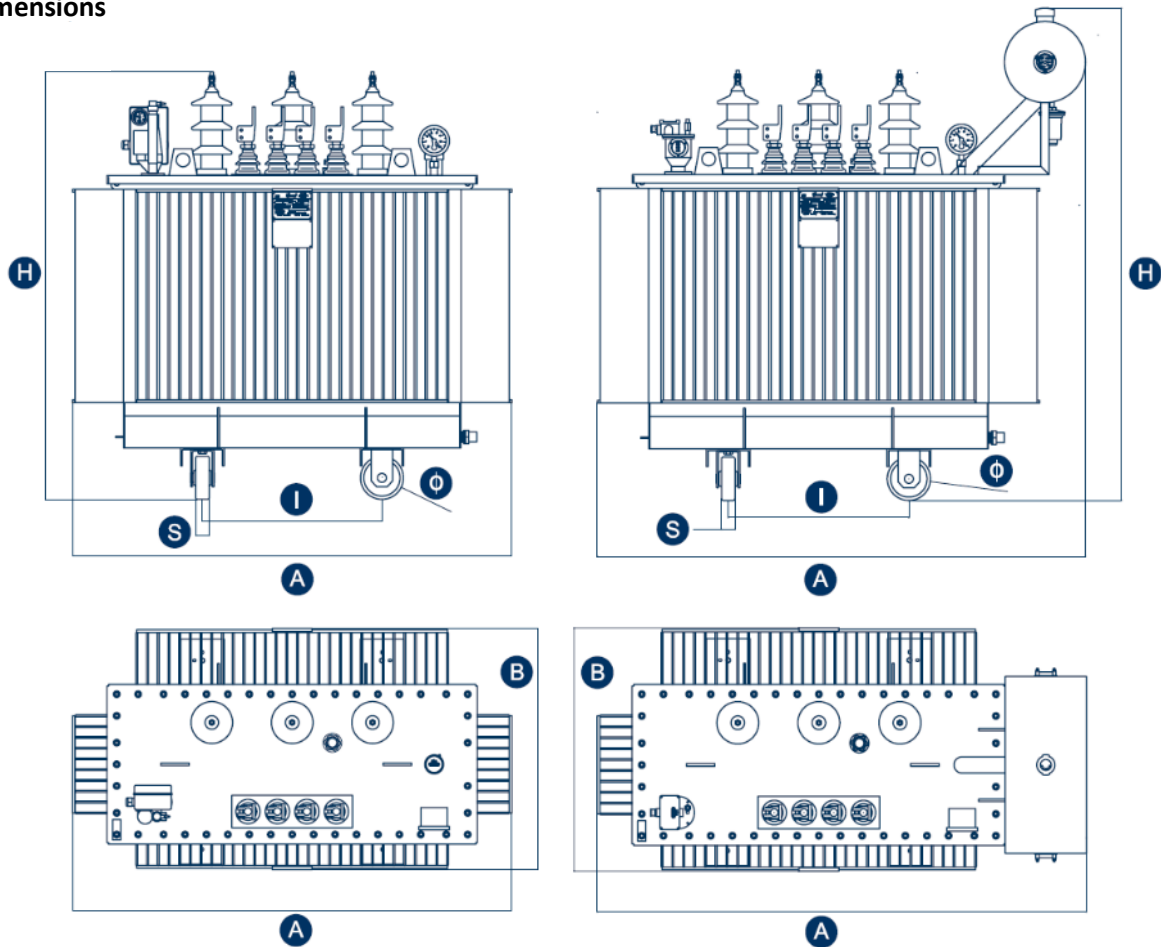
Normal losses

Type	Power	Impedance voltage	No-load current	No-load losses	Losses (75°C)	Oil weight	Total weight
MTO...	kVA	$V_{c/c}$ (%)	I_0 (%)	P_0 (W)	$P_{c/c}$ (W)	kg	kg
50N	50	4	0,5	180	1100	90	370
100N	100	4	0,5	320	1750	140	550
160N	160	4	0,5	450	2350	180	740
200N	200	4	0,5	550	2850	200	800
250N	250	4	0,5	650	3250	250	1000
315N	315	4	0,5	750	3800	270	1150
400N	400	4	0,5	900	4500	320	1350
500N	500	4	0,5	1100	5450	350	1550
630N	630	4	1	1300	6500	480	1900
630N	630	6	1	1200	6500	470	1850
800N	800	6	1	1400	8200	550	2200
1000N	1000	6	1	1700	10500	580	2400
1250N	1250	6	1	2100	13100	680	2900
1600N	1600	6	1	2500	17000	740	3250
2000N	2000	6	1	3000	21000	900	4000
2500N	2500	6	1	3500	26500	1050	4700
3150N	3150	6	1	3900	30500	1350	5750

Reduced losses

Type	Power	Impedance voltage	No-load current	No-load losses	Losses (75°C)	Oil weight	Total weight
MTO...	kVA	$V_{c/c}$ (%)	I_0 (%)	P_0 (W)	$P_{c/c}$ (W)	kg	kg
50R	50	4	0,2	125	875	120	430
100R	100	4	0,2	210	1475	190	660
160R	160	4	0,2	300	2000	240	900
200R	200	4	0,2	360	2400	260	1000
250R	250	4	0,2	425	2750	310	1150
315R	315	4	0,2	500	3200	330	1400
400R	400	4	0,2	610	3650	380	1600
500R	500	4	0,2	720	4600	430	1900
630R	630	4	0,5	860	5400	550	2150
630R	630	6	0,5	800	5600	550	2150
800R	800	6	0,5	930	7000	580	2450
1000R	1000	6	0,5	1100	9000	670	2900
1250R	1250	6	0,7	1300	11000	700	3200
1600R	1600	6	0,7	1700	14000	770	3500
2000R	2000	6	0,7	2100	18000	900	4000
2500R	2500	6	0,7	2500	22000	1100	4900
3150R	3150	6	0,7	3000	26000	1500	6700

Dimensions



Type	A			B			H			Ø	S	I
	S	N Oil / Hermetic	R Oil / Hermetic	S	N	R	S	N Oil / Hermetic	R Oil / Hermetic			
MTO...	mm			mm			mm			mm	mm	mm
50.	1100	1150 / 850	1200 / 950	650	550	650	1350	1350 / 1200	1400 / 1250	125	40	420
100.	1100	1250 / 1000	1350 / 1050	700	700	700	1450	1450 / 1300	1500 / 1350	125	40	420
160.	1200	1350 / 1050	1450 / 1150	750	750	700	1500	1500 / 1350	1550 / 1400	125	40	420
200.	1350	1400 / 1150	1450 / 1200	750	750	700	1500	1500 / 1400	1650 / 1500	125	40	520
250.	1450	1350 / 1100	1500 / 1200	800	800	800	1550	1600 / 1500	1650 / 1500	125	40	520
315.	1450	1450 / 1200	1500 / 1300	900	800	900	1550	1600 / 1450	1700 / 1500	125	40	520
400.	1550	1500 / 1400	1650 / 1450	900	900	950	1650	1600 / 1450	1800 / 1600	125	40	670
500.	1600	1650 / 1450	1700 / 1400	1050	900	950	1700	1750 / 1550	1850 / 1650	125	40	670
630.	1800	1850 / 1650	1750 / 1750	1000	900	950	1800	1850 / 1600	1850 / 1700	160	50	670
630.	1800	1850 / 1650	1750 / 1750	1000	900	950	1800	1850 / 1600	1850 / 1700	160	50	670
800.	1850	1850 / 1650	1850 / 1650	1000	950	1000	1850	1850 / 1650	1950 / 1700	160	50	670
1000.	1900	1850 / 1700	1900 / 1700	1200	1050	1000	1850	1900 / 1700	2100 / 1850	160	50	820
1250.	1900	2000 / 1950	2050 / 1900	1150	1200	1100	2050	1950 / 1750	2050 / 1800	160	50	820
1600.	2100	2100 / 2050	2000 / 2000	1200	1200	1150	2050	2050 / 1800	2100 / 1850	160	50	820
2000.	2250	2200 / 2200	2150 / 2150	1350	1300	1300	2150	2200 / 1950	2250 / 2000	200	70	1070
2500.	2250	2300 / 2300	2400 / 2400	1350	1400	1400	2300	2300 / 2050	2400 / 2050	200	70	1070
3150.	-	2450 / 2450	2600 / 2400	-	1400	1500	-	2500 / 2150	2450 / 2150	200	70	1070

CAST RESIN TRANSFORMERS

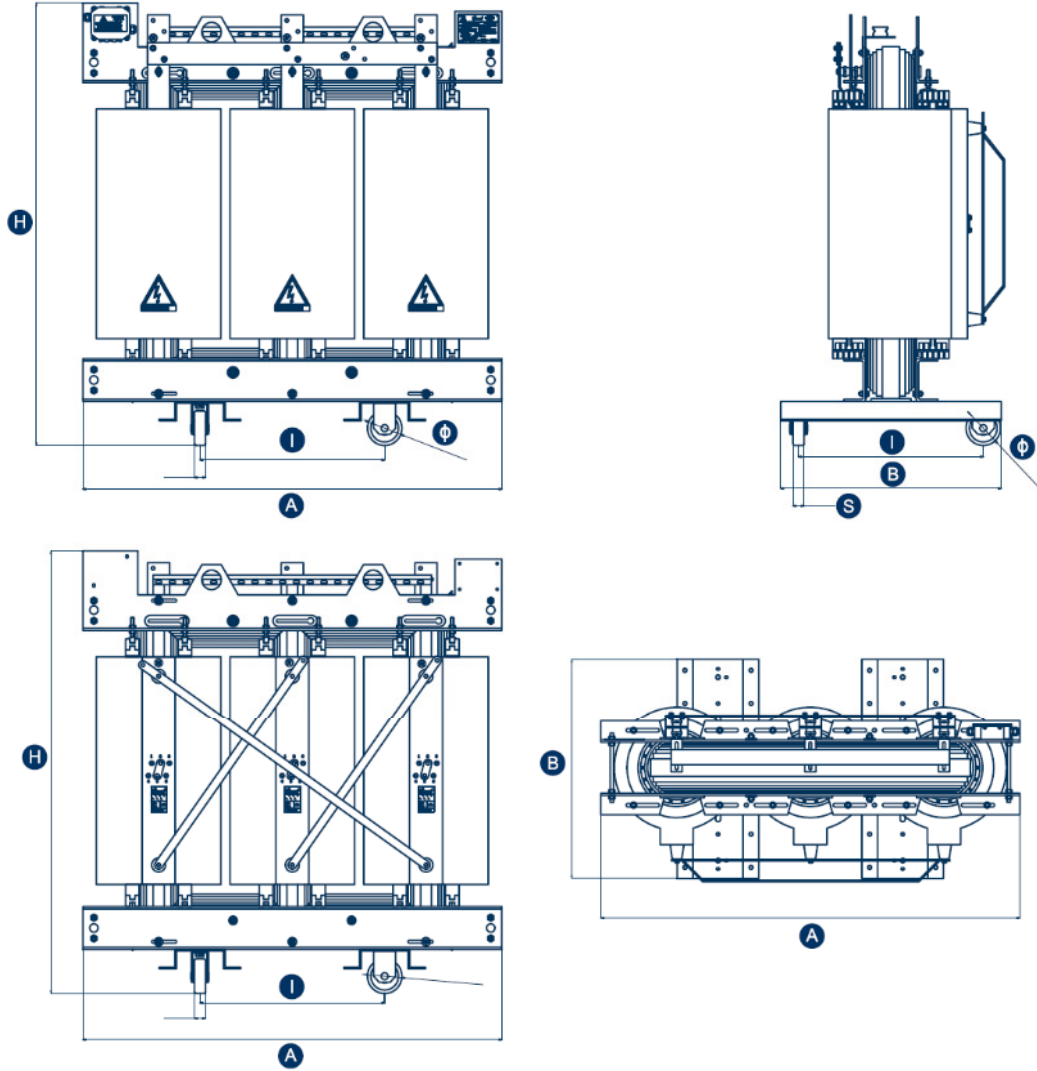
Normal losses

Type	Power	Impedance voltage	No-load current	No-load losses	Losses (75°C)	Total weight
MT...	kVA	$V_{c/c}$ (%)	I_0 (%)	P_0 (W)	$P_{c/c}$ (W)	kg
100N	100	6	1,35	460	1700	570
160N	160	6	1,00	650	2500	730
200N	200	6	0,75	800	3000	800
250N	250	6	0,60	850	3300	1000
315N	315	6	0,50	990	4100	1150
400N	400	6	0,40	1200	4800	1350
500N	500	6	0,40	1400	5900	1500
630N	630	6	0,35	1650	6900	1800
800N	800	6	0,30	2000	8100	2100
1000N	1000	6	0,30	2300	9600	2500
1250N	1250	6	0,30	2700	11600	2900
1600N	1600	6	0,30	3100	14000	3400
2000N	2000	6	0,25	4000	17000	4000
2500N	2500	6	0,25	4800	20000	4700
3150N	3150	6	0,20	5600	23000	5700

Reduced losses

Type	Power	Impedance voltage	No-load current	No-load losses	Losses (75°C)	Total weight
MT...	kVA	$V_{c/c}$ (%)	I_0 (%)	P_0 (W)	$P_{c/c}$ (W)	kg
100R	100	6	1,20	360	1700	700
160R	160	6	0,95	500	2500	800
200R	200	6	0,75	700	2850	900
250R	250	6	0,60	750	3100	1200
315R	315	6	0,50	800	3600	1350
400R	400	6	0,40	950	4200	1500
500R	500	6	0,40	1150	5400	1700
630R	630	6	0,35	1350	6500	1950
800R	800	6	0,30	1650	7900	2400
1000R	1000	6	0,30	1900	9600	2750
1250R	1250	6	0,30	2150	10500	3250
1600R	1600	6	0,30	2600	12500	4100
2000R	2000	6	0,25	3500	15000	4350
2500R	2500	6	0,25	4000	18000	5200
3150R	3150	6	0,20	5000	20500	6000

Dimensions



Type	A		B		H		Φ	S	I
	N	R	N	R	N	R			
MT...	mm		mm		mm		mm	mm	mm
100.	1120	1210	650	650	1080	1200	125	40	520
160.	1210	1210	650	650	1100	1210	125	40	520
200.	1210	1210	650	650	1270	1440	125	40	520
250.	1290	1350	800	800	1380	1460	125	40	670
315.	1290	1370	800	800	1460	1570	125	40	670
400.	1320	1390	800	800	1580	1570	125	40	670
500.	1430	1430	800	800	1590	1360	125	40	670
630.	1520	1520	800	800	1610	1640	125	40	670
800.	1560	1560	800	800	1830	1850	125	40	670
1000.	1620	1675	990	990	1910	2050	160	50	820
1250.	1650	1680	990	990	2070	2170	160	50	820
1600.	1740	1880	990	990	2180	2260	160	50	820
2000.	1890	1890	1270	1270	2280	2270	200	70	1070
2500.	1950	1900	1270	1270	2310	2350	200	70	1070
3150.	2100	1970	1270	1270	2370	2430	200	70	1070



**Rui des Haipes 1
5030 Gembloux
Belgium**

**+32.81.62.59.71
+32.81.62.59.79
info@focquet.be
www.focquet.be**



Technical modifications reserved, errors excepted.